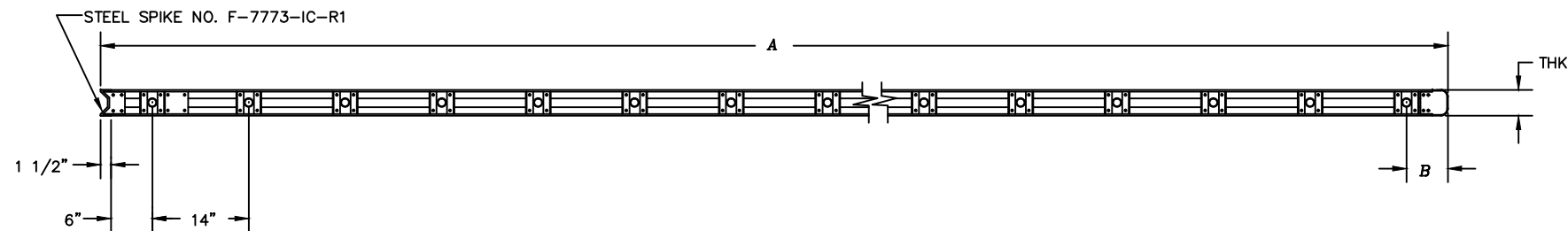
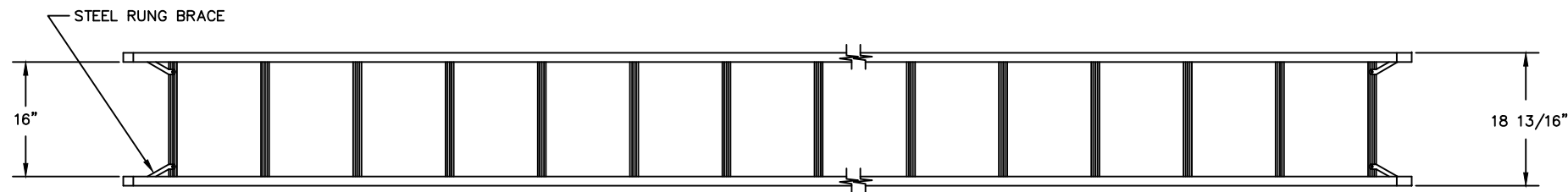
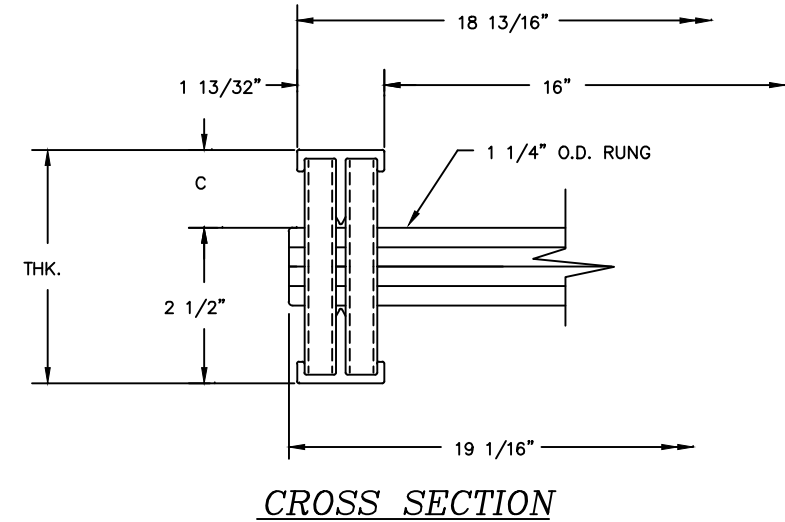


SPECIFICATIONS					
MODEL	A-LENGTH	B	C	THK.	WEIGHT
TWL-10	10'-5 1/2"	6"	1 1/4"	3 3/4"	30-LBS
TWL-12	12'-9 1/2"	6"	1 1/4"	3 3/4"	37-LBS
TWL-14	14'-0 1/2"	7"	1 1/4"	3 3/4"	44-LBS
TWL-16	16'-3 1/2"	6"	1 1/4"	3 3/4"	50-LBS
TWL-18	18'-7 1/2"	6"	1 1/4"	3 3/4"	54-LBS
TWL-20	20'-0"	8 1/2"	1 1/4"	3 3/4"	59-LBS
TWL-24	24'-5 1/2"	6"	1 1/4"	3 3/4"	68-LBS
TWL-26	26'-9 1/2"	6"	2 15/16"	5 7/16"	85-LBS
TWL-28	28'-0 1/2"	7"	2 15/16"	5 7/16"	89-LBS



REV	DATE	CHK	DATE	REVISION
<p>Keeping People SAFER and Products FLOWING</p> <p>P.O. Box 6408 Florence SC 29502-6408        843-669-6668 800-845-2387 FAX: 843-662-1536        WWW.CARBISSOLUTIONS.COM</p>				
<small>PROPRIETARY DESIGN          THIS DRAWING IS THE PROPERTY OF AND CONTAINS CONFIDENTIAL AND PROPRIETARY DESIGN INFORMATION BELONGING TO samCARBISolutions Group, LLC. IT MUST BE RETURNED IMMEDIATELY UPON REQUEST AND MUST NOT BE COPIED IN WHOLE OR IN PART, NOR THE INFORMATION SHOWN THEREON DISCLOSED TO THIRD PARTIES OR OTHERWISE USED EXCEPT AS SPECIFICALLY PERMITTED BY samCARBISolutions Group, LLC.          CUSTOMER</small>				
<b>TITLE</b> <b>TWL WALL LADDER</b>				
<b>CUSTOMER PURCHASE ORDER NUMBER</b>				<b>10' TO 28'</b>
<b>ORDER #</b>	<b>SCALE</b> 1/2" = 1'-0"	<b>SHEET</b> 1 of 1	<b>REV.</b> 5	
<b>DRAWN</b> HTH DATE 09/09/91	<b>CHECK</b> DATE	<b>DRAWING NUMBER</b> S-7677-R5		

© SAMCARBISOLUTIONS GROUP, LLC, 2016  
 WITH ALL RIGHTS RESERVED

H:\SkipLadder\S-7677-R5.dwg, 3/1/2015 3:53 AM