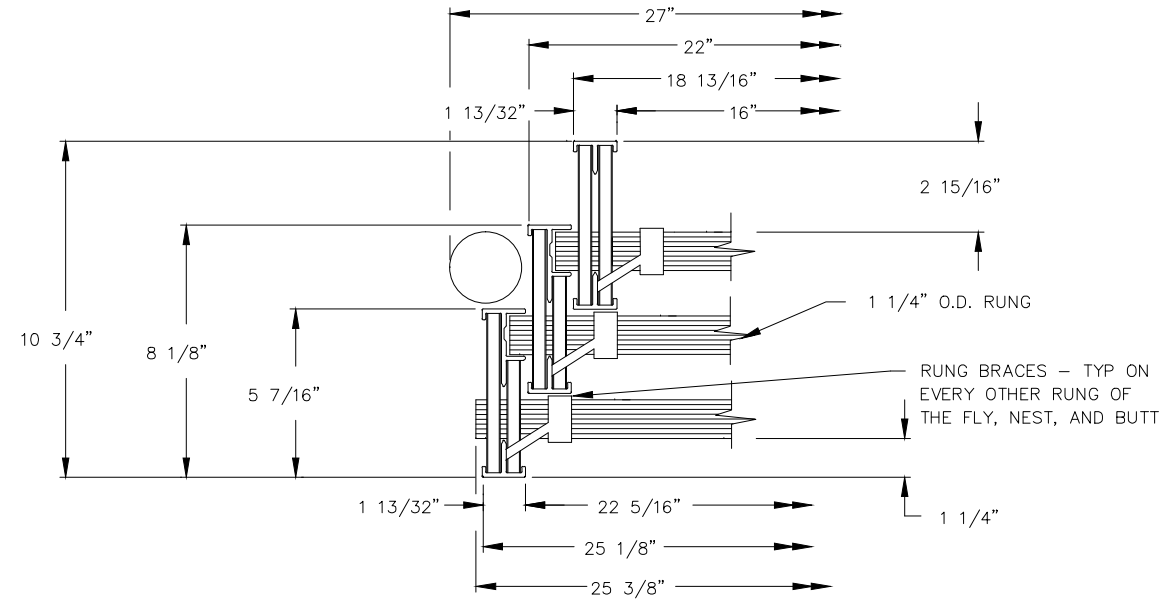
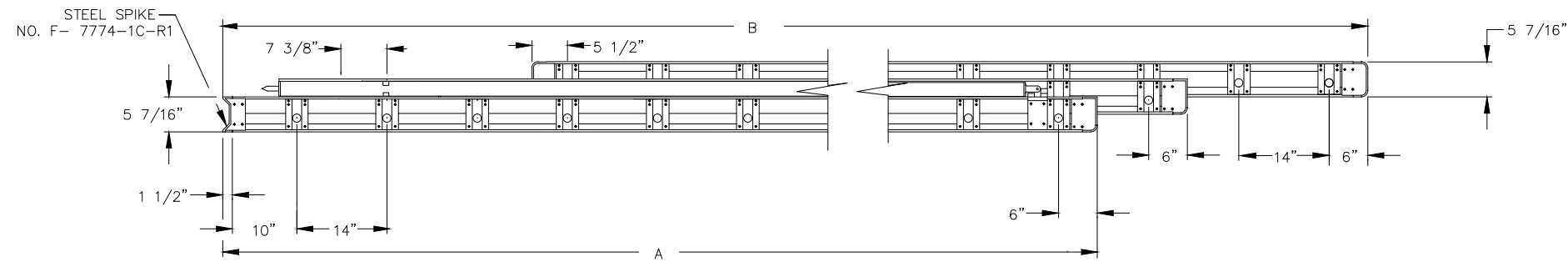
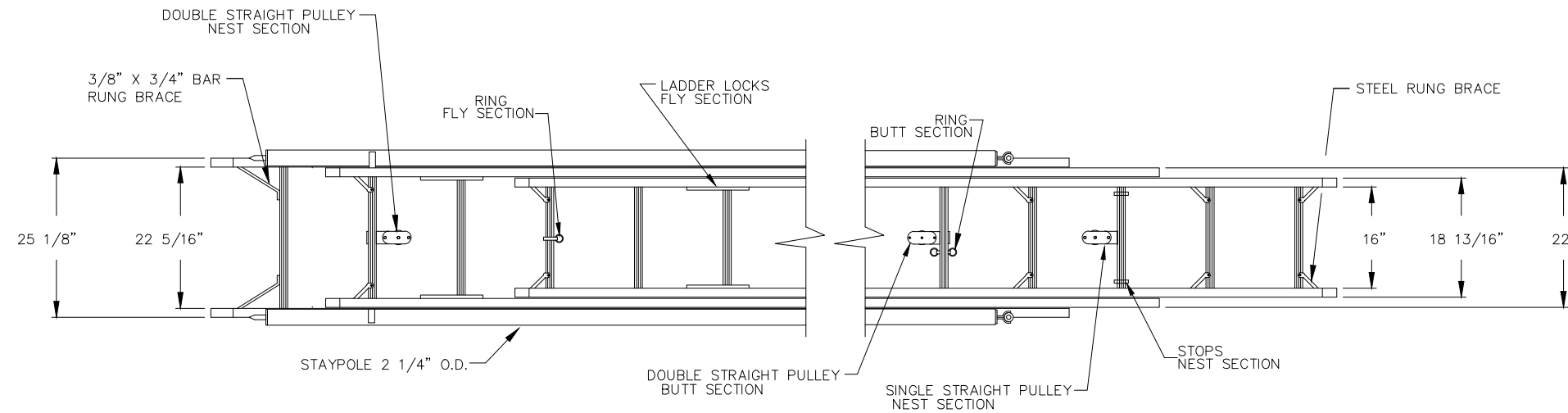


SPECIFICATIONS			
MODEL	A UNEXTENDED	B EXTENDED	WEIGHT
TEL3-45	19'-0"	47'-0"	242-LBS
TEL3-50	20'-2"	50'-6"	273-LBS



CROSS SECTION



REV	DOWN	DATE	CHR	DATE	REVISION



Keeping People SAFER and Products FLOWING

P.O. Box 6408 Florence SC 29502-6408
 843-669-6668 800-845-2387 FAX: 843-662-1536
 WWW.CARBISOLUTIONS.COM

PROPRIETARY DESIGN
 THIS DRAWING IS THE PROPERTY OF AND CONTAINS CONFIDENTIAL AND PROPRIETARY DESIGN INFORMATION BELONGING TO SAM CARBIS SOLUTIONS GROUP, LLC. IT MUST BE RETURNED IMMEDIATELY UPON REQUEST AND MUST NOT BE COPIED IN WHOLE OR IN PART, NOR THE INFORMATION SHOWN THEREON DISCLOSED TO THIRD PARTIES OR OTHERWISE USED EXCEPT AS SPECIFICALLY PERMITTED BY SAM CARBIS SOLUTIONS GROUP, LLC.

CUSTOMER			
TITLE TEL3 3-SECTION			
CUSTOMER PURCHASE ORDER NUMBER		45' TO 50'	
ORDER #	SCALE 1"=1'-0"	SHEET 1 OF 1	REV. 2
DRAWN DATE HTH 09/09/91	CHECK DATE	DRAWING NUMBER S-8575-1D-R1	

© SAM CARBIS SOLUTIONS GROUP, LLC, 2016
 WITH ALL RIGHTS RESERVED

H:\S\planners\FIRE LADDERS\S-8575-1D-R1.dwg, 10/29/2013 3:56 PM