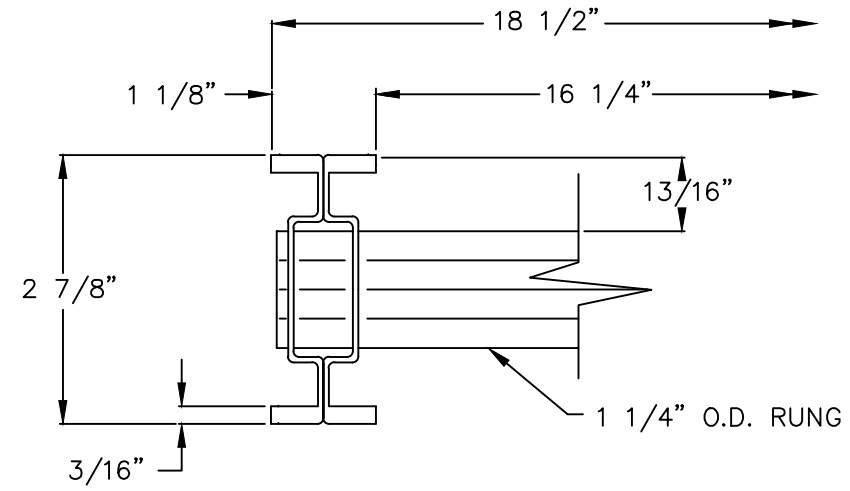
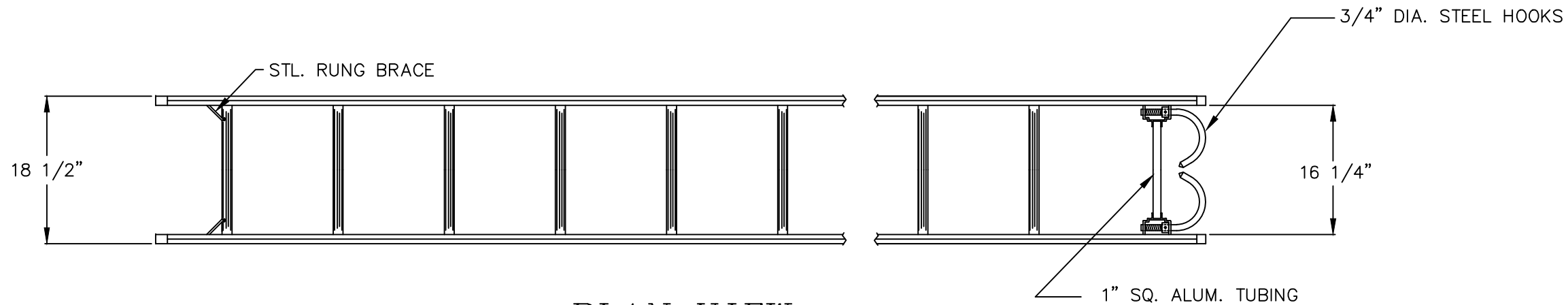


SPECIFICATIONS

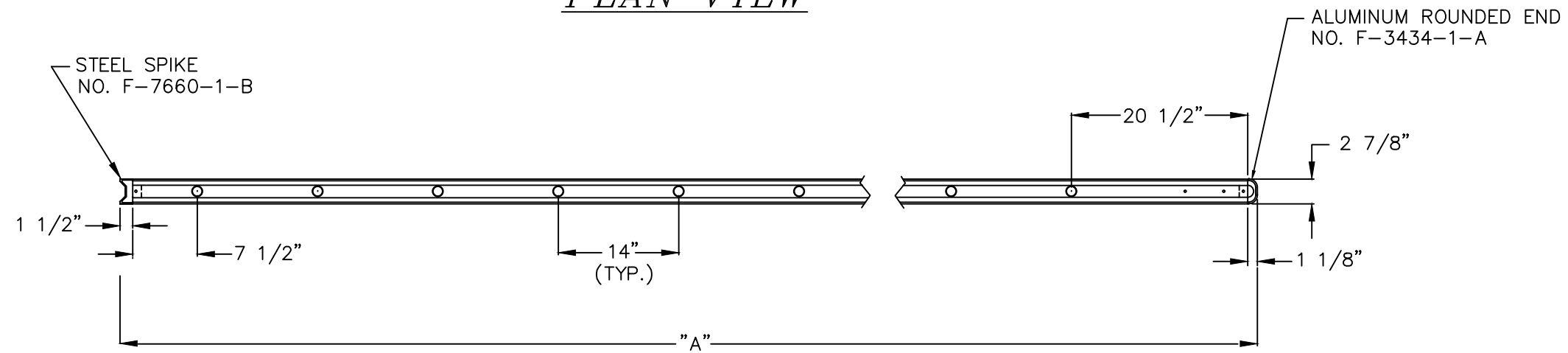
MODEL	A	WEIGHT
PRL-08	8'-5"	27 LBS
PRL-10	10'-9"	33 LBS
PRL-12	11'-11"	36 LBS
PRL-14	14'-3"	42 LBS
PRL-16	16'-7"	48 LBS
PRL-18	18'-11"	54 LBS
PRL-20	20'-1"	60 LBS




CROSS SECTION



PLAN VIEW



SIDE VIEW

 <p style="font-size: small;">Keeping People SAFER and Products FLOWING</p> <p style="font-size: x-small;">P.O. Box 6408 Florence SC 29502-6408 843-669-6668 800-845-2387 FAX: 843-662-1536 WWW.CARBISOLUTIONS.COM</p>	
PROPRIETARY DESIGN THIS DRAWING IS THE PROPERTY OF AND CONTAINS CONFIDENTIAL AND PROPRIETARY DESIGN INFORMATION BELONGING TO samCARBISolutions group, llc. IT MUST BE RETURNED IMMEDIATELY UPON REQUEST AND MUST NOT BE COPIED IN WHOLE OR IN PART, NOR THE INFORMATION SHOWN THEREON DISCLOSED TO THIRD PARTIES OR OTHERWISE USED EXCEPT AS SPECIFICALLY PERMITTED BY samCARBISolutions group, llc.	
CUSTOMER	
TITLE PRL ROOF LADDER	
CUSTOMER PURCHASE ORDER NUMBER	
ORDER #	SCALE 3/4"=1'-0"
DRAWN HTH DATE 02/20/98	CHECK DATE
DRAWING NUMBER S-7671-1D-R6	
SHEET 1 OF 1	REV. 6

© SAMCARBISOLUTIONS GROUP, LLC, 2016
WITH ALL RIGHTS RESERVED

H:\SkipLadder-V\FIRE LADDERS\S-7671-1D-R6.dwg, 3/4/2016 11:06 AM