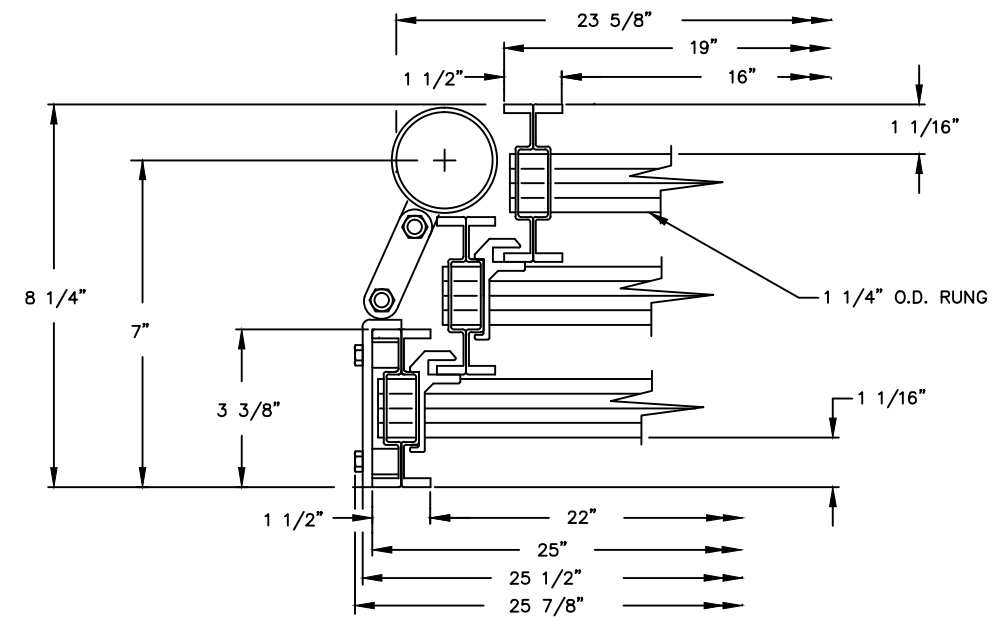
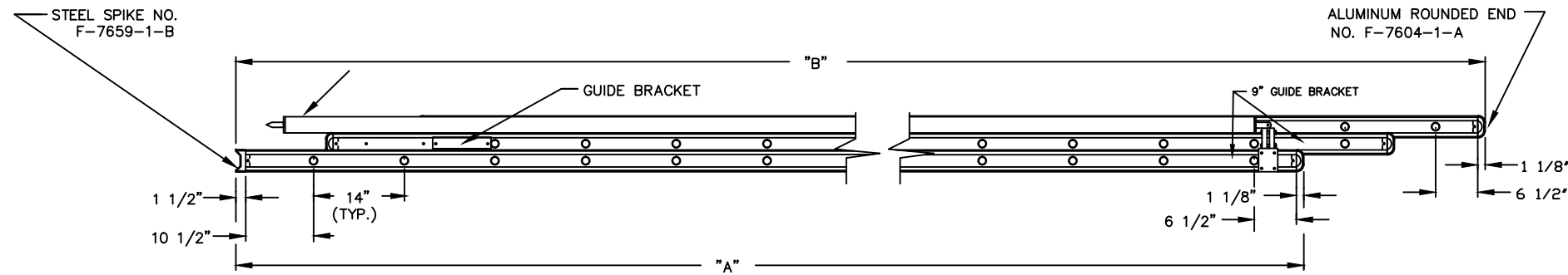
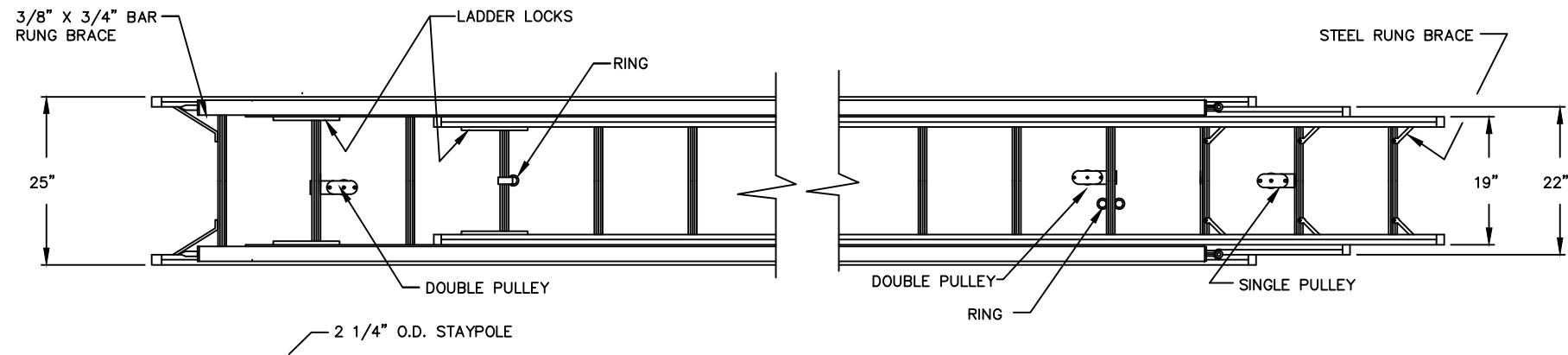


SPECIFICATIONS			
MODEL	A	B	WEIGHT
PEL3-40P	17'-0"	40'-2"	220-LBS



CROSS SECTION



REV		DATE	CHK	DATE	REVISION
<p>Keeping People SAFER and Products FLOWING</p> <p>P.O. Box 6408 Florence SC 29502-6408 843-669-6668 800-845-2387 FAX: 843-662-1536 WWW.CARBISSOLUTIONS.COM</p>					
<small>PROPRIETARY DESIGN THIS DRAWING IS THE PROPERTY OF AND CONTAINS CONFIDENTIAL AND PROPRIETARY DESIGN INFORMATION BELONGING TO samCARBIS solutions group, llc. IT MUST BE RETURNED IMMEDIATELY UPON REQUEST AND MUST NOT BE COPIED IN WHOLE OR IN PART, NOR THE INFORMATION SHOWN THEREON DISCLOSED TO THIRD PARTIES OR OTHERWISE USED EXCEPT AS SPECIFICALLY PERMITTED BY samCARBIS solutions group, llc.</small>					
CUSTOMER					
TITLE					
PEL3 3-SECTION					
CUSTOMER PURCHASE ORDER NUMBER					40'
ORDER #	SCALE			SHEET	REV.
	1/2"=1'-0"			1 OF 1	2
DRAWN	HTH	CHECK	DRAWING NUMBER		
DATE	09/09/91	DATE	S-8264-R2		

© SAMCARBIS SOLUTIONS GROUP, LLC, 2016
 WITH ALL RIGHTS RESERVED

H:\SkipLadder\S-8264-R2.dwg, 3/1/2015 3:53 AM