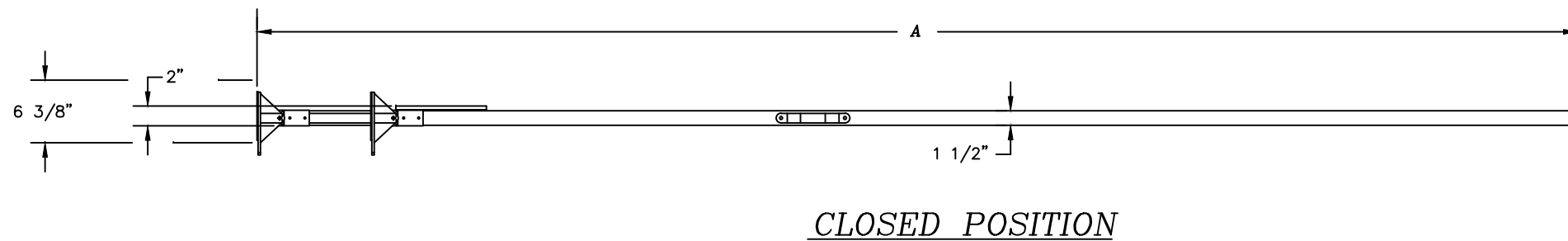
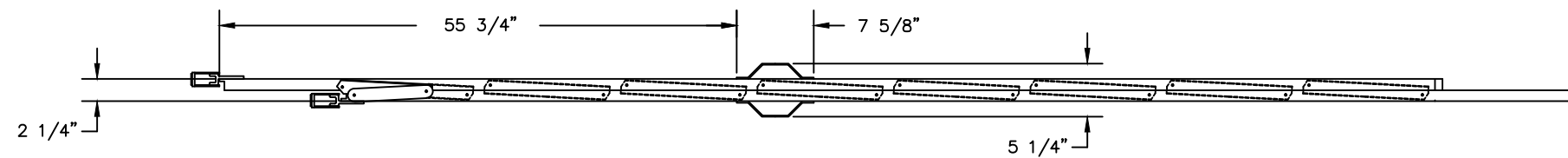
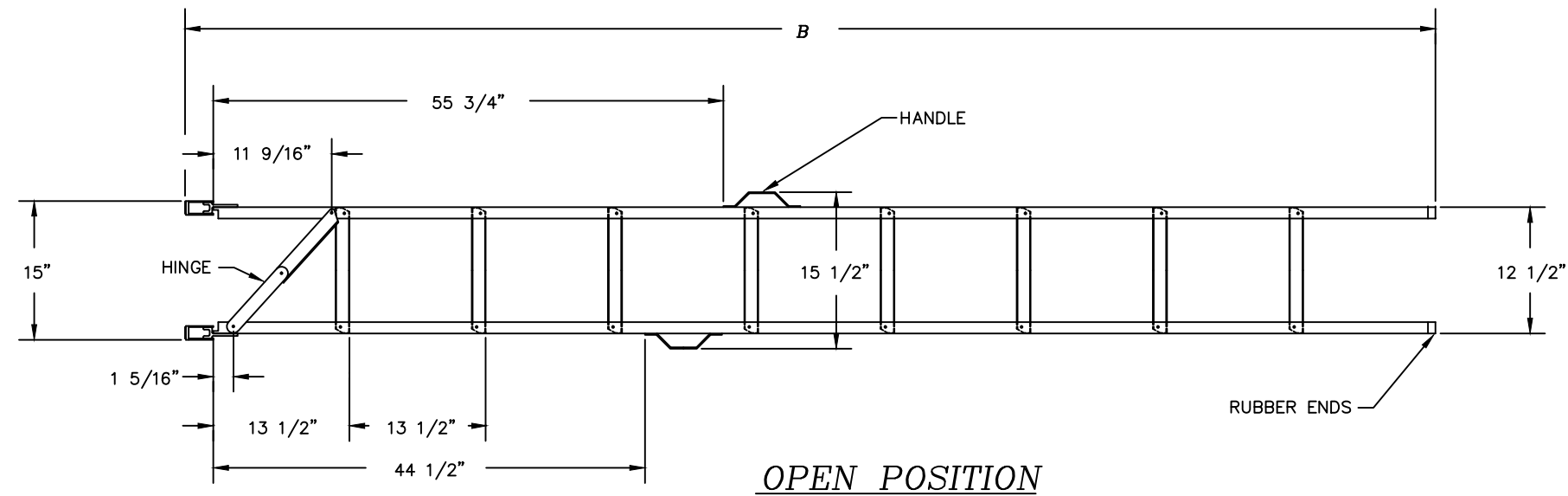



| SPECIFICATIONS | | | |
|----------------|-------------|-------------|--------|
| MODEL | A | B | WEIGHT |
| FL-08 | 9'-2 1/2" | 8'-3" | 12-LBS |
| FL-10 | 11'-5 1/4" | 10'-6" | 14-LBS |
| FL-12 | 13'-7 1/2" | 12'-8 1/4" | 17-LBS |
| FL-14 | 15'-10 1/2" | 14'-11 1/4" | 21-LBS |



| REV | DATE | CHK | DATE | REVISION |
|-----|------|-----|------|----------|
| | | | | |
| | | | | |
| | | | | |
| | | | | |



Sam CARBIS
Solutions Group, LLC

Keeping People **SAFER** and Products **FLOWING**

P.O. Box 6408 Florence SC 29502-6408
843-669-6668 800-845-2387 FAX: 843-662-1536
WWW.CARBISSOLUTIONS.COM

PROPRIETARY DESIGN
THIS DRAWING IS THE PROPERTY OF AND CONTAINS CONFIDENTIAL AND PROPRIETARY DESIGN INFORMATION BELONGING TO **samCARBIS**solutions group, llc. IT MUST BE RETURNED IMMEDIATELY UPON REQUEST AND MUST NOT BE COPIED IN WHOLE OR IN PART, NOR THE INFORMATION SHOWN THEREON DISCLOSED TO THIRD PARTIES OR OTHERWISE USED EXCEPT AS SPECIFICALLY PERMITTED BY **samCARBIS**SOLUTIONS GROUP, LLC.

CUSTOMER: _____

TITLE: **FL FOLDING TYPE**

CUSTOMER PURCHASE ORDER NUMBER: _____

ORDER # _____ SCALE: **3/4"=1'-0"** SHEET **1** OF **1** REV. **3**

DRAWN: HTH CHECK: _____ DRAWING NUMBER: **S-7803-1D-R3**
DATE: 09/10/91 DATE: _____

© **samCARBIS**SOLUTIONS GROUP, LLC, 2016

WITH ALL RIGHTS RESERVED

H:\Skpladder\FIRE LADDERS\S-7803-1D-R3.dwg, 3/1/2015 3:52 AM