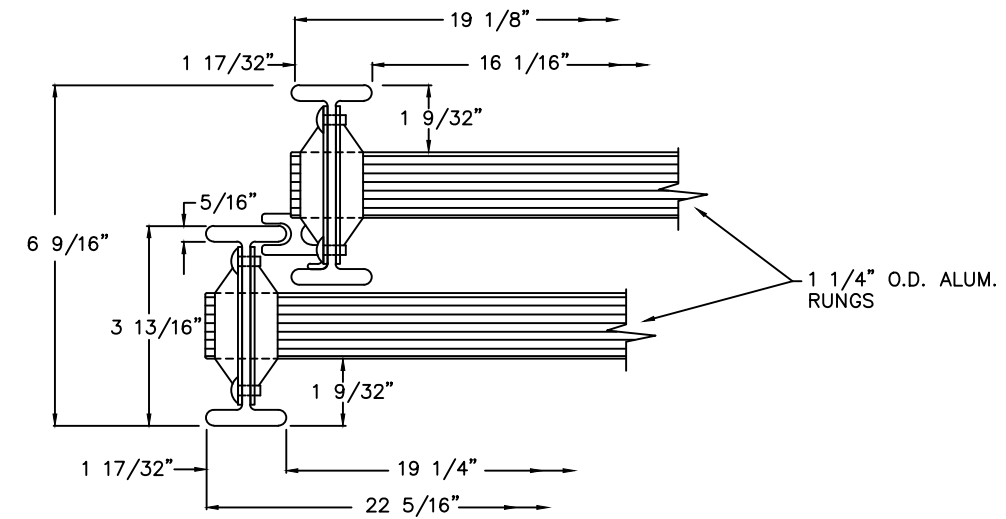
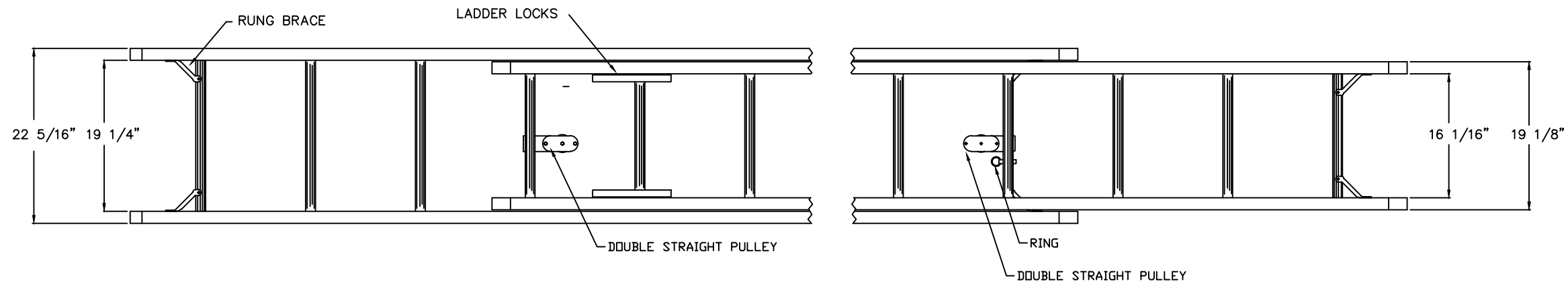


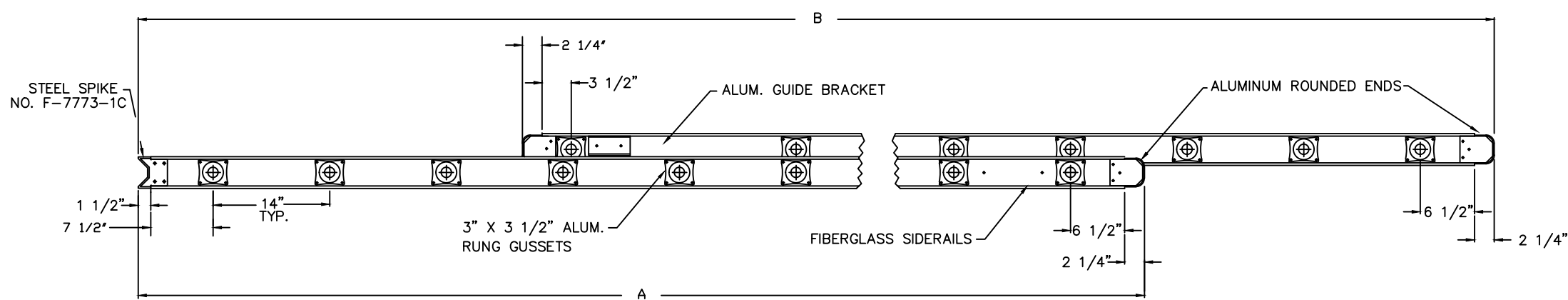
SPECIFICATIONS			
MODEL	A	B	WEIGHT
FEL-28	16'-8"	29'-6"	118-LBS
FEL-30	17'-10"	30'-8"	130-LBS
FEL-35	20'-2"	35'-4"	139-LBS
FEL-40	22'-6"	40'-0"	150-LBS



CROSS SECTION



PLAN VIEW



SIDE VIEW

<p>Keeping People SAFER and Products FLOWING</p> <p>P.O. Box 6408 Florence SC 29502-6408 843-669-6668 800-845-2387 FAX: 843-662-1536 WWW.CARBISOLUTIONS.COM</p>		<p>PROPRIETARY DESIGN THIS DRAWING IS THE PROPERTY OF AND CONTAINS CONFIDENTIAL AND PROPRIETARY DESIGN INFORMATION BELONGING TO samCARBISolutions Group, LLC. IT MUST BE RETURNED IMMEDIATELY UPON REQUEST AND MUST NOT BE COPIED IN WHOLE OR IN PART, NOR THE INFORMATION SHOWN THEREON DISCLOSED TO THIRD PARTIES OR OTHERWISE USED EXCEPT AS SPECIFICALLY PERMITTED BY samCARBISolutions Group, LLC.</p>	
TITLE: FEL 2-SECTION			
CUSTOMER PURCHASE ORDER NUMBER:		28' TO 35'	
ORDER #	SCALE: 3/4"=1'-0"	SHEET 1 OF 1	REV. 3
DRAWN: HTH DATE: 09/10/91	CHECK: _____ DATE: _____	DRAWING NUMBER: S1917AA2-R3	

© SAMCARBISOLUTIONS GROUP, LLC, 2016  
WITH ALL RIGHTS RESERVED

H:\SkipLadder-V\FIRE LADDERS\S1917AA2-R3.dwg 3/1/2015 3:52 AM