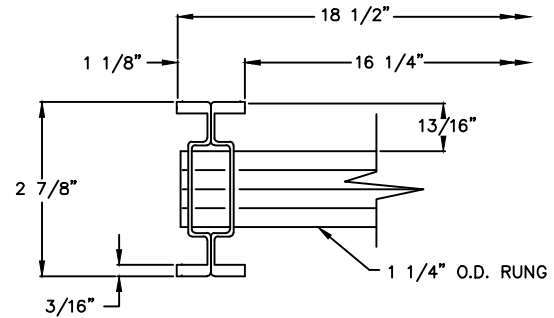
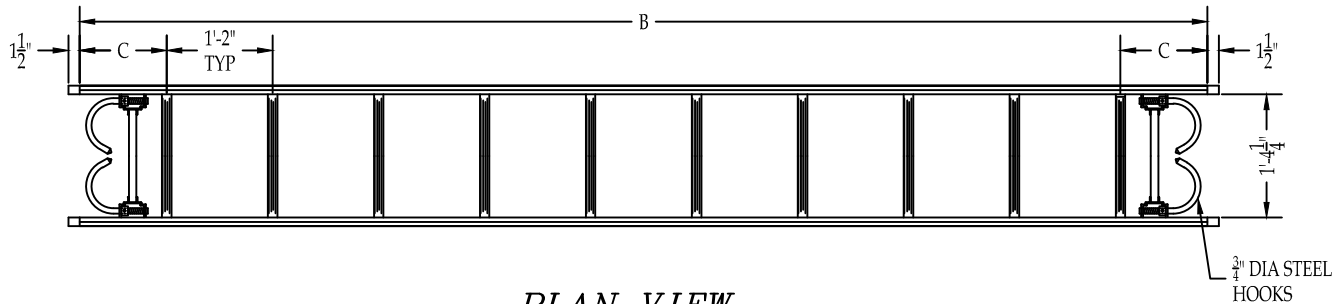


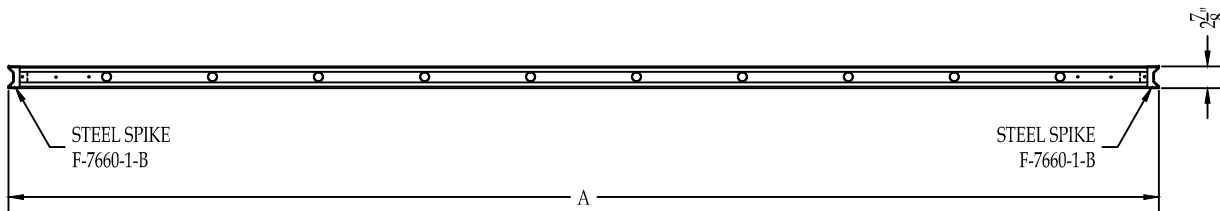
<i>SPECIFICATIONS</i>				
<i>MODEL</i>	<i>A</i>	<i>B</i>	<i>C</i>	<i>WEIGHT</i>
DRL-12	12'-8"	12'-5"	11 1/2"	45 LBS
DRL-14	13'-10"	13'-7"	11 1/2"	51 LBS
DRL-16	16'-2"	15'-11"	11 1/2"	57 LBS
DRL-20	19'-9"	19'-6"	12"	69 LBS



CROSS SECTION



PLAN VIEW



SIDE VIEW

REV	DATE	CHK	DATE	REVISION
Keeping People SAFER and Products FLOWING				
P.O. Box 6408 Florence SC 29502-6408 843-669-6668 800-845-2387 FAX: 843-662-1536 WWW.CARBISOLUTIONS.COM				
<small>PROPRIETARY DESIGN THIS DRAWING IS THE PROPERTY OF AND CONTAINS CONFIDENTIAL AND PROPRIETARY DESIGN INFORMATION BELONGING TO Sam CARBIS SOLUTIONS GROUP, LLC. IT MUST BE RETURNED IMMEDIATELY UPON REQUEST AND MUST NOT BE COPIED BY WHOLE OR IN PART, NOR THE INFORMATION SHOWN THEREON DISCLOSED TO THIRD PARTIES OR OTHERWISE USED EXCEPT AS SPECIFICALLY PERMITTED BY Sam CARBIS SOLUTIONS GROUP, LLC.</small>				
CUSTOMER				
TITLE				
DRL ROOF LADDER				
CUSTOMER PURCHASE ORDER NUMBER				
				12' TO 20'
ORDER #	SCALE	SHEET		REV.
	NONE	1 of 1		0
DRAWN: TB	CHKD: HHW	DRAWING NUMBER		
DATE: 03/24/16	DATE: 03/24/16	S-8896-1D		

© SAM CARBIS SOLUTIONS GROUP, LLC, 2016

WITH ALL RIGHTS RESERVED

H:\SlipLadder\EVAL\FREE\S8896-1D.dwg - 10/29/2013 4:08 PM